

The VM21 range is interchangeable with the V21 Capsula 5 & 6mm valves. These sub-base mounted valves have been designed to save space, time and money, whilst providing a high flow rate. Particular concern has been given to the ease and speed of servicing, thus reducing 'down time' to a minimum.

Key Features:

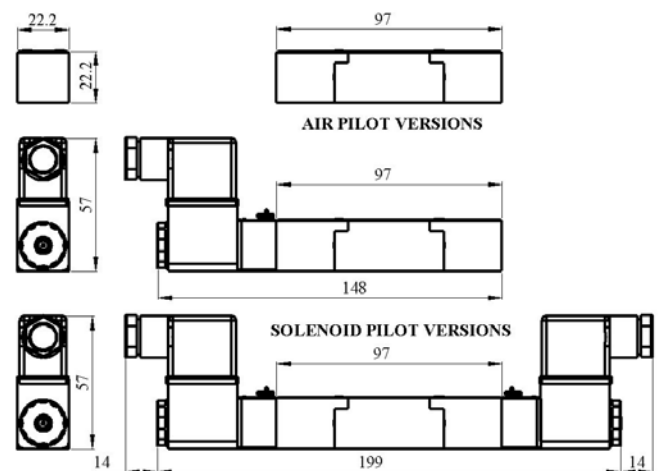
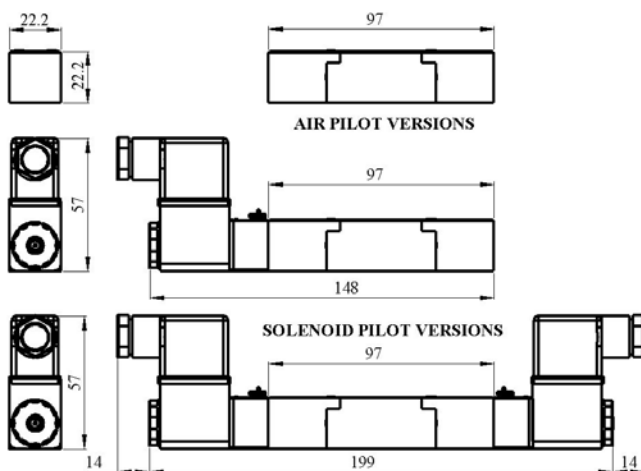
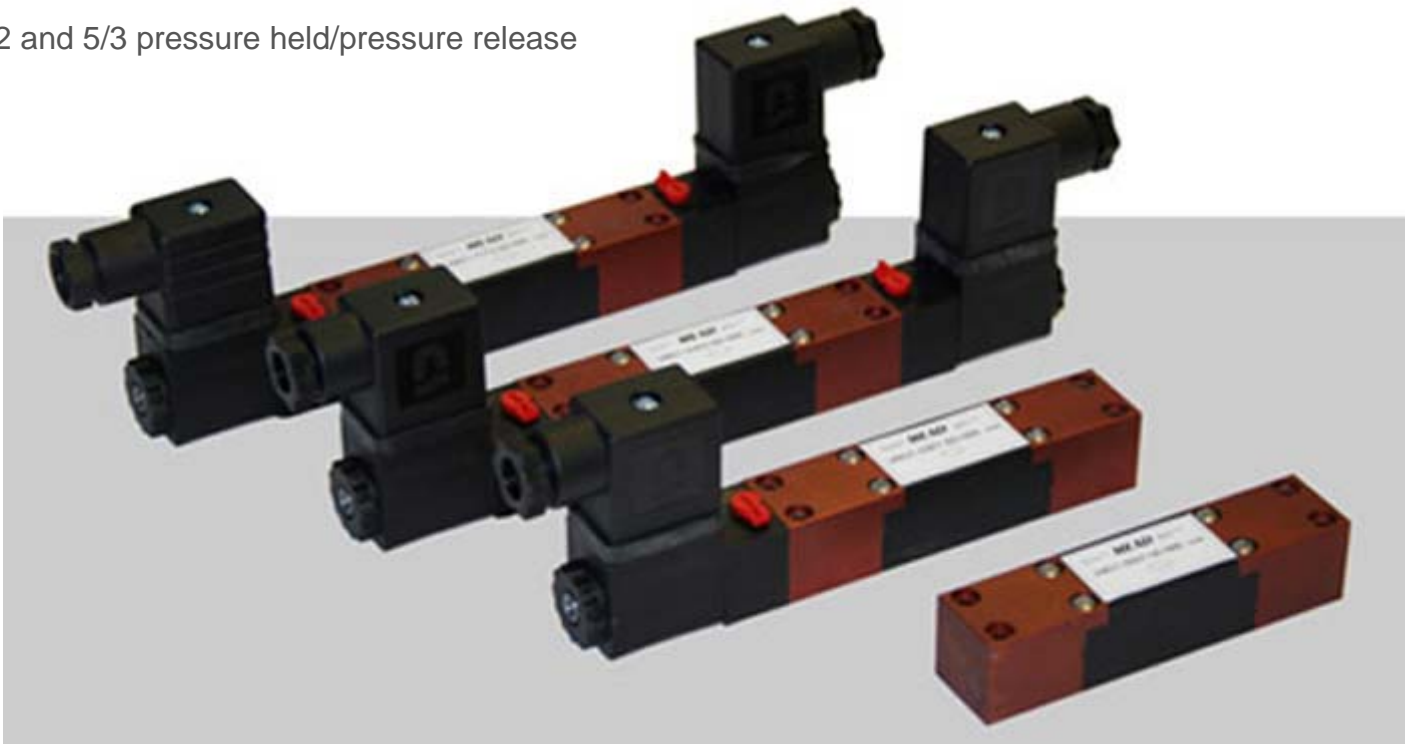
Cable plug and base plug versions

Metal actuator ends

Slip on/off interchangeable coils

Manual override

5/2 and 5/3 pressure held/pressure release



SEP12

TECHNICAL SPECIFICATIONS

General

Type of Unit	5 Port 2 or 3 Position Directional Valve
Model Code	Refer to ordering code overleaf
Design	Spool Type Valve
Mounting Type	On Sub-Base
Connections	Appropriate to the Sub-Base
Port Sizes	Suitable for 6mm Push-in Fittings

Pneumatic Characteristics

Operating Pressure Range	3 - 8 bar (45 - 120psi)
Operating Temperature Range	-20 to +100°C
Orifice Size	4.0mm
CV Factor (Ports 1-2)	0.4

Actuators Electrical

Standard DC	12V	24V	
Standard AC	24V-50/60Hz	110V-50/60Hz	240V-50/60Hz

Consult with Sales for additional voltages

Electrical Characteristics

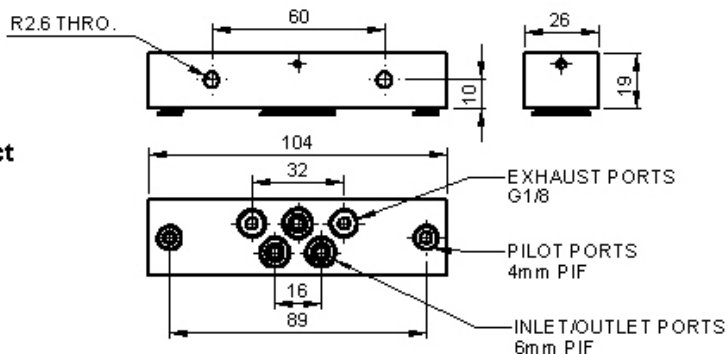
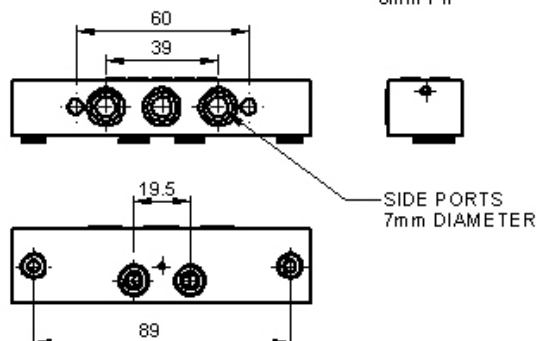
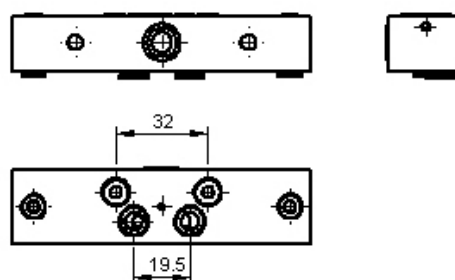
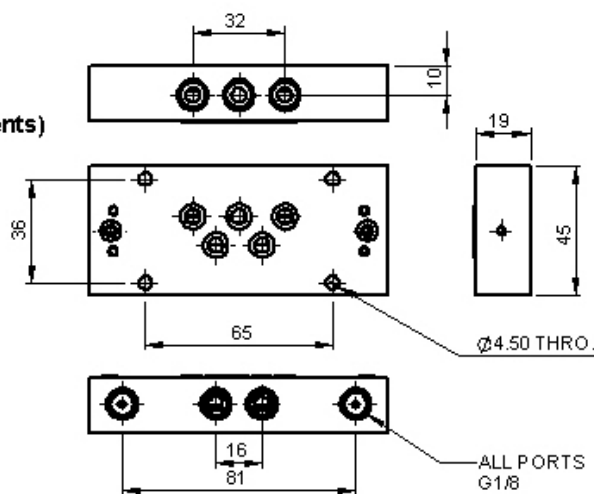
AC Solenoid	5 VA
DC Solenoid	3 Watts
Operating Duty	100% (Continuous)
Type of Protection (Class)	IP65
Insulation (Class)	'F'
Electrical Connection	Din 43650 Type 'B'

Materials

Body Segments	Anodised Aluminium
Spool	Aluminium
Spool Seals	High Nitrile or Viton
Actuator Housing	Anodised Aluminium
Actuator Pistons	Aluminium
Solenoid Components	Stainless Steel/Brass
Screws	Stainless Steel



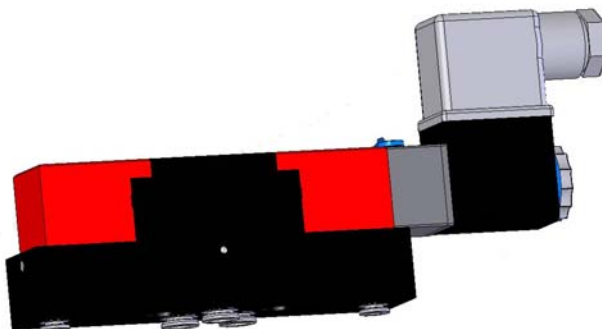
BASE DIMENSIONS

Rear Entry Base
SERIES 1^{xx}For Port Connection
choice see Base Product
ordering code**Common Inlet - Common Exhaust Base**
SERIES 3^{xx}**Common Inlet - Separate Exhaust Base**
SERIES 5^{xx}
(Contact MEAD for requirements)**Side Entry Base**
SERIES 7^{xx}
(Contact MEAD for requirements)

SEP12



STANDARD VALVE RANGE



PRODUCT ORDERING CODE

VM21—0303—BS —000

PRODUCT FAMILY

VM21 - 6mm Valve

ACTUATORS (SELECT BOTH ENDS)

03 - Solenoid Pilot Standard Piston
 04 - Solenoid Pilot Small Piston
 05 - Air Pilot Standard Piston
 06 - Air Pilot Small Piston
 07 - Spring
 14 - Air Spring
 71 - Solenoid Pilot 5/3 Pressure Release
 72 - Solenoid Pilot 5/3 Pressure Held
 75 - Air Pilot 5/3 Pressure Release
 76 - Air Pilot 5/3 Pressure Held

VOLTAGE - SOLENOID

A - 12VDC D - 24VAC 50/60 Hz
 B - 24VDC F - 110VAC 50/60 Hz
 H - 230VAC 50/60 Hz

(Add suffix 'S' if L.E.S. is required, otherwise insert 'O')

Consult with Sales for additional voltages

VALVE OPTIONS

000 - Cable Plug and Base Plug
 000-V - Viton Seals

BASES

-1 4 1

PORT CONNECTIONS

1- Rear or Side Entry Only
 3- Common Inlet/Exhaust
 5- Common Inlet/Separate Exhaust

PILOT CONTROL

1- Both Internal
 2- Both External
 3- Port 12 Internal Port 14 External
 4- Port 14 Internal Port 12 External

BASE TYPE

1- Rear or Side Entry Only
 3- Common Inlet/Exhaust
 5- Common Inlet/Separate Exhaust
 7- Side Entry

KITS

VM21K-1 - Valve Seals
 VM21K-2 - Solenoid Operator
 VM21K-3 - Spare Coil (Specify Voltage Code)
 VM21K-C - Base Kit



SEP12

